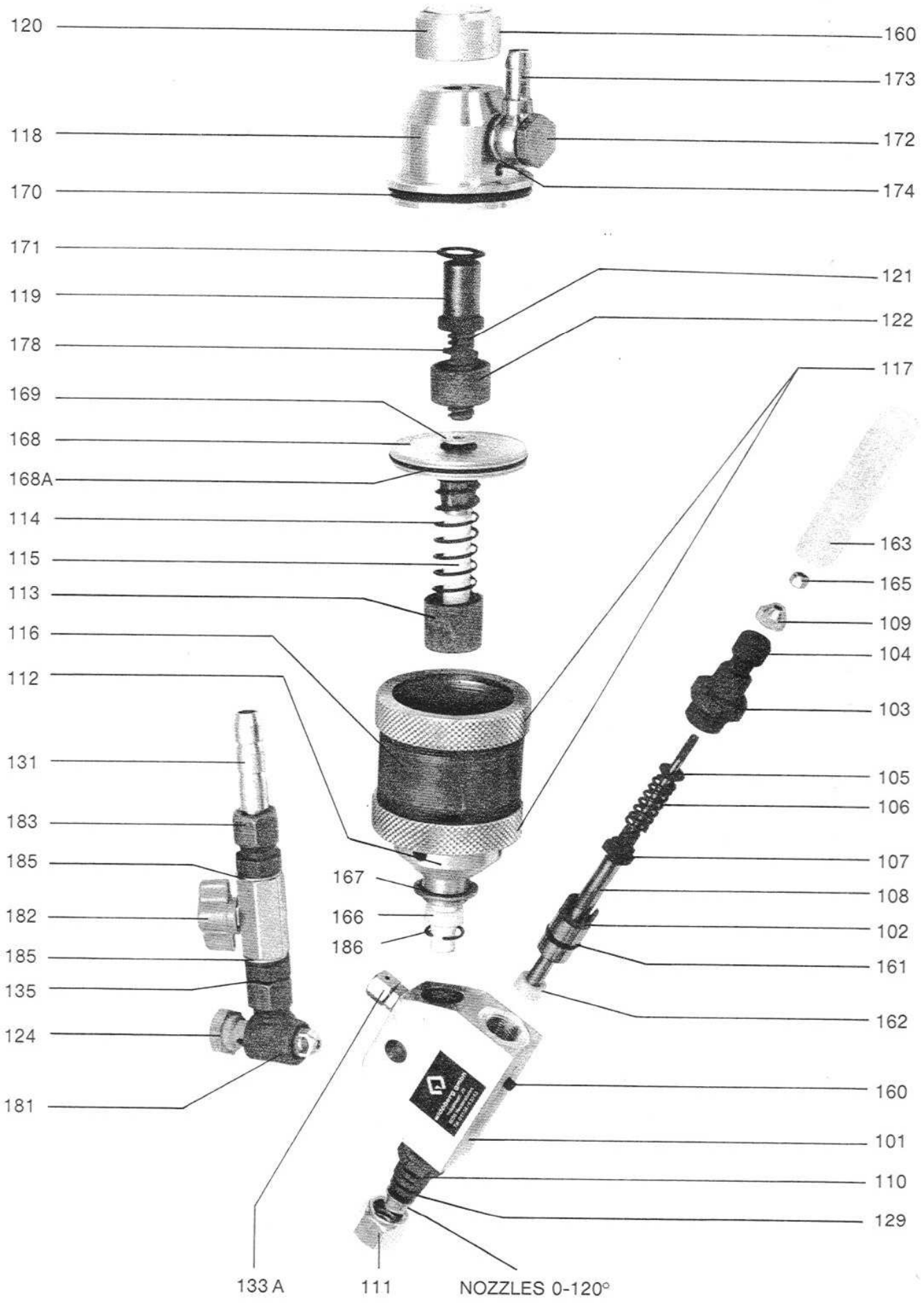


## PARTS LIST:

DESCRIPTION	PART NO.	DESCRIPTION	PART NO.
GUN BODY	101	CONNECTING PIECE	135
GUIDE BUSHING	102	GRUB SCREW	160
THREADED BUSHING	103	O-RING	161
COMPRESSION SCREW	104	CUP SEAL*	162
SPRING PLATE	105	CAP	163
COMPRESSION SPRING*	106	HEXAGON NUT	165
COLLAR	107	CUP SEAL*	166
NEEDLE VALVE*	108	USIT SEALING RING*	167
KNURLED NUT	109	PISTON ASSEMBLY*	168
INSERT ASSEMBLY	110	SEALING RING FOR	
RETAINING NUT	111	PISTON ASSEMBLY*	168 A
CYLINDER FLANGE	112	COUNTERSUNK SCREW	169
SPRING CUP	113	O-RING*	170
COMPRESSION SPRING*	114	O-RING*	171
PLUNGER*	115	BANJO ASSEMBLY	172
CYLINDER	116	AIR CONNECTION	173
RETAINING NUT	117	SEALING RING	174
CYLINDER HEAD	118	ROLL PIN	178
SLEEVE	119	BANJO CONNECTION	181
KNURLED KNOB	120	STOP COCK	182
SPINDLE	121	CONNECTION	183
NUT	122	SEALING RING	185
CHECK VALVE ASSEMBLY	124	RETAINING RING	186
VALVE SEAT	129		
HOSE CONNECTION	131		
BLEED VALVE ASSEMBLY	133 A		

\* THESE PARTS SUBJECT TO WEAR AND SHOULD BE KEPT IN STOCK.



## **A. START-UP**

1. Open material shut-off valve No. 182.
2. Open bleed valve nut No. 133A slightly until material emerges.
3. Actuate control valve to vent gun and then close bleed valve nut No. 133A. Adjust compression spring No. 106 by means of compression screw No. 104 so needle valve No. 108 opens upon actuation of control valve.
4. Adjust quantity of spray by means of knurled nut No. 120.

## **B. CARE AND MAINTENANCE**

To avoid damaging seals, never immerse spray gun in hot water or aggressive cleaning fluids. Clean exterior with a damp brush or rag. Clean dismantled nozzle with compressed air. Keep all moving parts clean and oil lightly when servicing.

## **C. REMOVAL OF NEEDLE VALVE NO. 108**

Unscrew compression screw No. 104. Unscrew bushing No. 103 from gun body No. 101 and pull out needle valve. When replacing needle valve make sure to check valve seat No. 129 (both sides can be used) or if both sides are worn, also replace valve seat, No. 129.

## **D. REMOVAL OF PLUNGER NO. 115**

Unscrew retaining nut No. 117 (at air connection end) and remove complete cylinder head assembly No. 118. Pull out complete piston assembly No. 168 including plunger No. 115. Unscrew flat head screw No. 169 and push out plunger No. 115 from piston assembly No. 168. When reassembling, tighten screw firmly and secure threads with a locking fluid.

## **E. CHANGING OF NOZZLE**

Unscrew retaining nut No. 111 and remove nozzle and valve seat No. 129. Note replacement of valve seat as in C. above.

# **TIPS FOR TROUBLE SHOOTING**

## **A. NO COMPOUND EMERGES FROM NOZZLE**

1. Insufficient air pressure: increase to 75-90 p.s.i.
2. Gun not properly vented: open bleed valve nut No. 133A to vent. Pull back needle valve by hand to let air escape; this also serves as a check if compound pressure is available.
3. Nozzle blocked: remove nozzle and clean.
4. Check valve No. 124 binds or leaks: clean or replace.
5. Strainer in dirt trap blocked: remove and clean.
6. Material hardened in feed line: clean line and stop cock No. 182.
7. Plunger No. 115 binds, does not retract: replace compression spring No. 114 or piston assembly No. 168 and/or cup seal No. 166.

## **B. NOZZLE DRIBBLES**

1. Compression screw No. 104 loose: tighten.
2. Needle valve No. 108 or valve seat No. 129 worn: replace parts including compression spring No. 106.

## **WHEN USING BUFFING COMPOUND**

To obtain trouble free operation and minimum rate of wear, use airless compositions suitable for high pressure applications.

We reserve the right to make changes for the purpose of improvements and technical progress.